

SUPER CAPACITOR

SC2032-6F Brief Datasheet

1. BASIC SPECIFICATION:

Items		Characteristic	
		Standard	Test condition
1.1	Rated capacity	6F	The lowest capacity when charge @10mA rated, discharge @ 10mA to cut-off voltage 0.1V
1.2	Nominal voltage	2.7V	
1.3	Cut-off voltage	0.1V	
1.4	Equivalent Resistance in series	$\leq 6 \Omega$	Test by instrument of interior resistance (AC1kHz)
1.5	Charge voltage	2.7 \pm 0.05V	
1.6	Max. charge current	300mA	
1.7	Max. discharge current	300mA	When charge to 2.7V
1.8	Short cut current	Over 450mA	When charge to 2.7V
1.9	Working temperature	charge	-25 - 70°C
		Discharge	-25 - 70°C
1.10	Storage temperature	-20 – +45°C	
1.11	Average Weight	2.55g \pm 0.05g	
1.12	Max. Size (mm)	Thickness	Diameter
		3.3 _{-0.2} ⁺⁰	20.3 _{-0.5} ⁺⁰
1.13	Appearance	There is no defect in the surface, such as crack, change color, leaking or transfiguration	
			The precision of vernier caliper is less than 0.02mm
			See by naked eyes

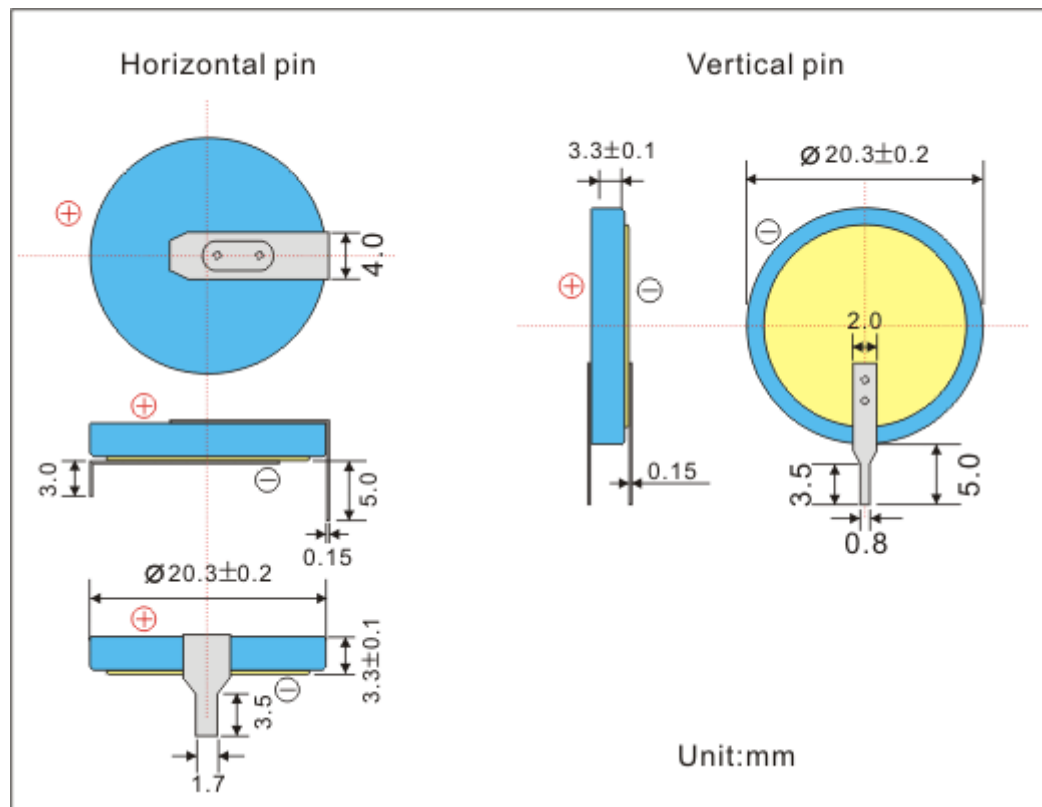
2. WARNING!

- * Do not overcharge, force discharge, short-circuit, disassemble, deform, heat or place the capacitor near a direct flame. Any of the above actions could cause it to ignite, explode or become damaged.
- * Keep this capacitor out of the reach of children.

Note: Any representations in this brochure concerning performance, are for informational purposes only and are not construed as warranties either expressed or implied, of future performance.

<http://eemb.com> global@eemb.com

3. DIMENSION



Note: Any representations in this brochure concerning performance, are for informational purposes only and are not construed as warranties either expressed or implied, of future performance.